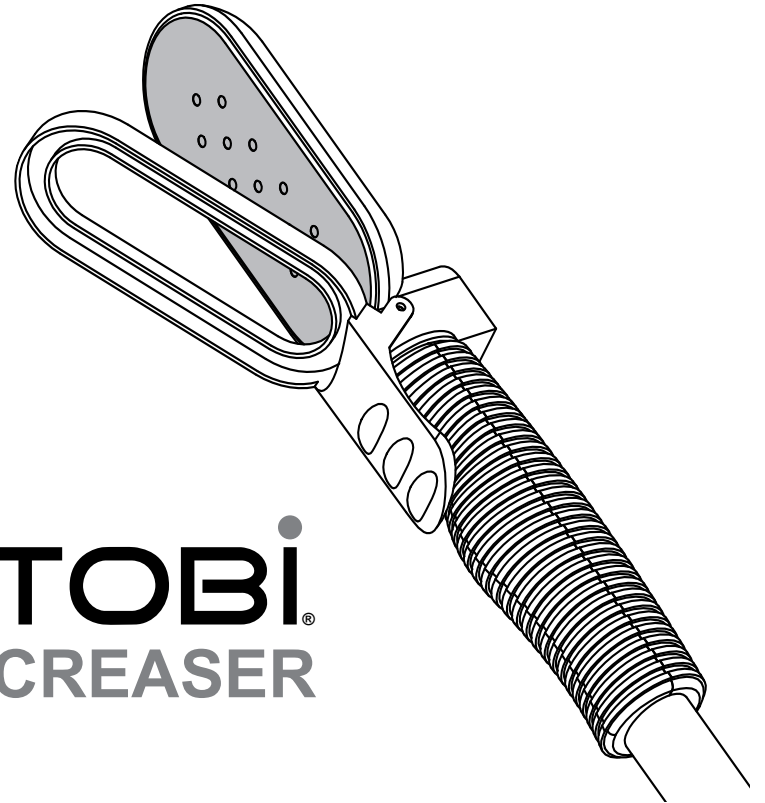


www.thetobi.com

TOBi[®]

INSTRUCTION MANUAL



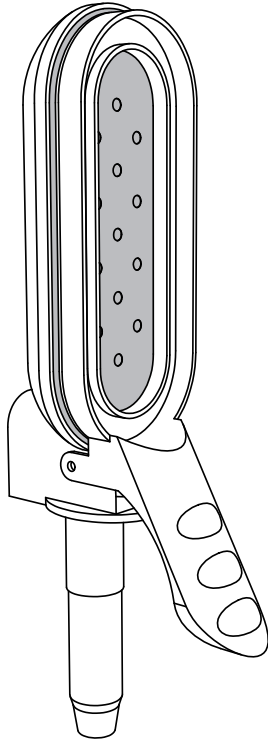
TOBi[®]

CREASER

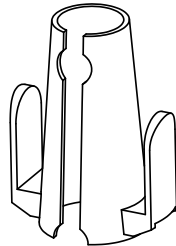
Read this booklet thoroughly before using and save it for future reference

TOBI® CREASER PARTS

Creaser attachment



Creaser hook



Welcome!

This is the Tobi® creaser attachment for your Tobi® steamer. This amazing tool will save you time and money. To achieve the best results, carefully read through this guide and retain it for future reference. Thank you!

IMPORTANT SAFEGUARDS

When using your Tobi® steamer, basic precautions should always be followed, including the following:

1. Read all instructions.
2. To reduce the risk of contact with hot water and steam emitting from steam vents, always check appliance for leaks before each use. Operate the unit with the steam nozzle placed in its holder, and inspect the base, hose, handle, and nozzle for steam leaks. Do not use the Tobi® steamer if you notice steam coming from anywhere else besides the nozzle.
3. Never yank cord to disconnect from outlet; instead, grasp plug and pull to disconnect. Do not allow cord to touch hot surfaces. Loop cord loosely around appliance when storing. Do not let cord hang over edge of table or counter. The power cord should not be kinked or obstructed in any way.
4. Always disconnect appliance from electrical outlet when filling with water or emptying, before cleaning and when not in use. Allow it to cool completely before putting on or taking off parts, before cleaning the appliance and before putting away.
5. Do not operate appliance with a damaged cord, or if the appliance has been dropped or damaged. To reduce the risk of electric shock, do not disassemble or attempt to repair the appliance, take it to a qualified service person for examination and repair. Incorrect reassembly or repair could cause a risk of fire, electric shock, or injury to persons when the appliance is used.
6. Do not use outdoors.
7. Use the Tobi® steamer only for its intended use. Steam only in an up and down vertical motion. Never use steamer in a horizontal position or tilt into a backward position; this may result in water discharge.
8. Avoid contact with hot parts. Burns could occur from touching hot metal parts, steam nozzle, or steam hose. Keep hands, hair, and clothing away from hot parts to prevent burns.
9. To protect against fire, electric shock and injury, do not immerse the Tobi® steamer in water or other liquids.

10. The Tobi® steamer is not a toy. Do not allow children to operate the Tobi® steamer. Close supervision is necessary when this or any appliance is used near children. Do not leave the appliance unattended while connected.
11. Do not use attachments that are not Tobi® accessories, as this may result in fire, electric shock or injury to persons.
12. Always keep the steam nozzle elevated above water container. Do not lay hose on the floor.
13. Do not operate the Tobi® steamer without properly filling the water container.
14. Always turn the switch to the "Off" position before plugging in or unplugging the unit.
15. Never attempt to steam clothing while on body.
16. To reduce the likelihood of a circuit overload, do not operate another high-wattage appliance on the same circuit as your steamer.
17. If an extension cord is absolutely necessary, a 15 ampere rated cord should be used. Cords rated for less amperage may overheat. Care should be taken to arrange the cord so that it cannot be inadvertently pulled or tripped over.
18. The steam hose directs the steam from the main unit to the handle and steam nozzle. Never pull, bend or wrap the hose; it will damage the hose and result in steam leakage. During the operation, do not touch the steam hose. It gets very hot and can burn or scald your skin.
19. To prevent steam from causing bodily injury or damage to surface, always hang the steam nozzle on the steam nozzle holder when not in use. Do not lay the hose on the floor as condensation may occur, causing unwanted water droplets in the steam.
20. Do not use the Tobi® without the nozzle or creaser attachment properly mounted.

SAVE THESE INSTRUCTIONS.
HOUSEHOLD USE ONLY

ASSEMBLY INSTRUCTIONS

Assembling and Mounting the Tobi® Creaser

1. To remove the steam nozzle, take the handle with one hand and press the release button with your thumb. With the other hand, gently turn the steam nozzle clockwise 90 degrees. **See Figure 1.**
2. Lift the steam nozzle out of the handle as shown in **Figure 2.**
3. To attach the creaser assembly, align the small tab on the creaser with the slot on the handle. **See Figure 3.** Insert the creaser all the way down into the handle and turn counter-clockwise until the creaser clicks into place; about 90 degrees.

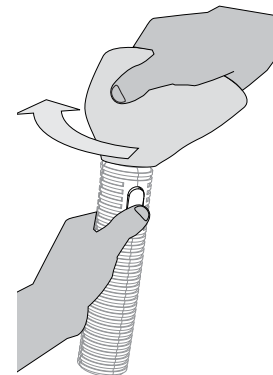


Figure 1

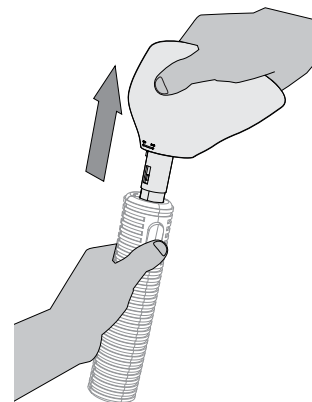


Figure 2

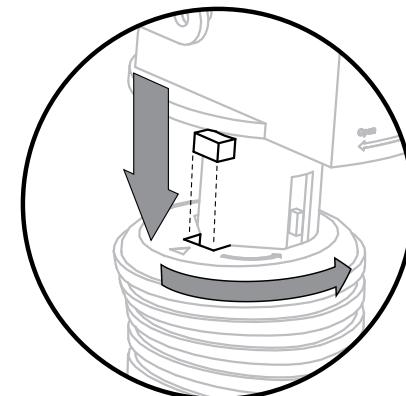


Figure 3

WARNING: Before you change attachments on the Tobi® steamer, make sure to turn the Tobi® steamer power switch to the “OFF” position, unplug the unit and wait until no steam comes out and the unit is cool. Failure to follow these directions could result in severe injury.

Assembling the Tobi® Creaser Hook

1. Align the Tobi® creaser hook with the steam nozzle holder at the top of the extension pole.
2. Slide the hook down until it clicks into place, as shown in **Figure 4**.
3. Align the slot in the creaser attachment with the hook on the creaser hook and rest the creaser attachment on the hook. **See Figure 5.**

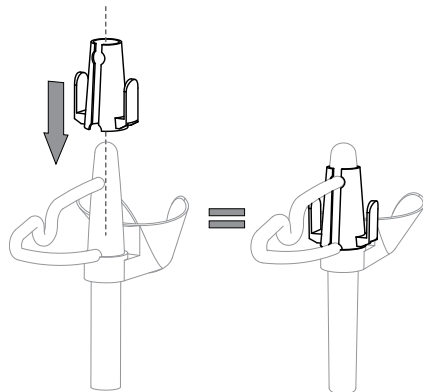


Figure 4

Tip: To prevent steam from causing bodily injury or damage to surfaces, always hang the creaser on the hook when not in use.

Note: Do not allow knots, kinks, or bends to form in the hose at any time.

Caution: Do not use the Tobi® creaser on silk or velvet. If you are unsure about how a material will react to steam, test the material in an inconspicuous location first.

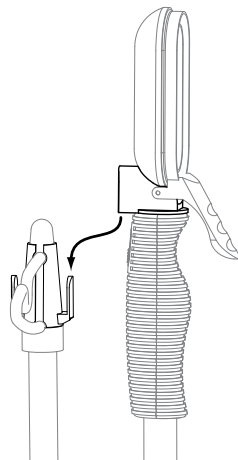


Figure 5

Operation

For best results, follow steps 1-8 in the **Tobi® Instruction Manual** that came with your Tobi® steamer. For more information, please visit us at www.thetobi.com or by calling **800-670-8628**.

Using the Tobi® Creaser

1. Open the creaser by squeezing the lever on the unit and clamping the bottom of the garment to be creased. Steam will rise along the inside and outside of the fabric as it removes wrinkles and odor.
2. Slowly slide the creaser up the garment. Always try to work from bottom to top. **See Figure 7.**
3. Remove the creaser from the fabric and smooth out the garment with your free hand.
4. Repeat steps 2 and 3 when needed.
5. Curtains and drapes can be steamed while still hanging in place. Attach the shoulder strap to the steamer to use in any location.
6. When finished steaming, turn the power switch to the “OFF” position and hang the creaser attachment on the creaser hook. **See Figure 5** for instructions.

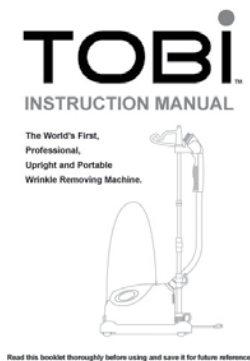


Figure 6

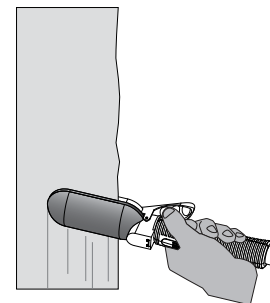


Figure 7

ONE YEAR LIMITED WARRANTY

Your Tobi® steamer is warranted to be free from defects in materials and workmanship for one year from the original purchase date. Should the product have a defect in materials or workmanship, we will repair or replace it without charge to you (a shipping and processing fee may apply). To obtain service under warranty, simply call our Customer Service Center toll-free at 1-800-796-4431.

This warranty does not cover damage caused by accident, misuse or any use other than as intended and described in this product manual, or damage resulting from failure to maintain and clean this product as specified in this product manual. This warranty applies only to the original purchaser of the Tobi® steamer.

Contact Info for Warranty Service :

Tobi®
P.O. Box 3472
Hollywood, CA 90028
1-800-796-4431
www.thetobi.com
© 2007 Tobi USA, LLC. All Rights Reserved.

ARBITRATION AGREEMENT

THIS ARBITRATION AGREEMENT ("AGREEMENT") AFFECTS YOUR LEGAL RIGHTS AND REMEDIES BY PROVIDING THAT DISPUTES BETWEEN YOU AND THE SELLER OF THIS PRODUCT ("COMPANY"), MUST BE RESOLVED THROUGH BINDING ARBITRATION, RATHER THAN IN A COURT.

PLEASE READ THIS AGREEMENT CAREFULLY. YOU ACCEPT THE TERMS OF THIS AGREEMENT BY RETAINING THE PRODUCT(S) SHIPPED IN CONNECTION WITH THIS AGREEMENT (THE "PRODUCT") FOR MORE THAN FOURTEEN (14) DAYS AFTER RECEIPT. IF YOU DO NOT AGREE TO THE TERMS OF THIS AGREEMENT, YOU MAY RETURN THE PRODUCT TO COMPANY WITHIN FOURTEEN (14) DAYS OF RECEIPT AT NO COST TO YOU.

1. RESOLUTION OF CLAIMS OR DISPUTES. Any claim or dispute between you and Company (or any of Company's subsidiaries or affiliates) arising out of or relating in any way to the Product or this Agreement shall be resolved through final, binding arbitration. This arbitration obligation applies regardless of whether the claim or dispute involves a tort, fraud, misrepresentation, product liability, negligence, violation of a statute, or any other legal theory. Both you and Company specifically acknowledge and agree that you waive your right to bring a lawsuit based on such claims or disputes and to have such lawsuit resolved by a judge or jury.

2. LIMITATION OF LEGAL REMEDIES. All arbitrations under this Agreement shall be conducted on an individual (and not a class-wide) basis, and an arbitrator shall have no authority to award class-wide relief. You acknowledge and agree that this Agreement specifically prohibits you from commencing arbitration proceedings as a representative of others or joining in any arbitration proceedings brought by any other person.

3. ARBITRATION PROCEDURES.
a. Before commencing any arbitration proceedings under this Agreement, you must first present the claim or dispute to Company by calling 818-217-2500 and asking for the Legal Department and allowing Company the opportunity to resolve the claim or dispute. If your claim or dispute is not resolved within sixty (60) days, you may commence arbitration proceedings in accordance with the terms of this Agreement.

b. The arbitration of any claim or dispute under this Agreement shall be conducted pursuant to the American Arbitration Association's ("AAA") United States Commercial Dispute Resolution Procedures and Supplementary Procedures for Consumer-Related Disputes. These rules and procedures are available by calling the AAA or by visiting its web site at www.adr.org.

c. The arbitration of any claim or dispute under this Agreement shall be conducted in the State of California or the location in which you received this Agreement.

d. All administrative expenses of arbitration proceedings commenced under this Agreement shall be divided equally between you and Company, except that: (a) if the claim or dispute that is the subject of the arbitration proceedings is less than ten thousand dollars (US\$10,000), you will be responsible for no more than one hundred twenty-five dollars (US\$125) in administrative expenses; (b) if the claim or dispute that is the subject of the arbitration proceedings is more than ten thousand dollars (US\$10,000) but less than seventy-five thousand dollars (US\$75,000), you will be responsible for no more than three hundred seventy-five dollars (US\$375) in administrative expenses; and (c) if the claim or dispute that is the subject of the arbitration proceedings is more than seventy-five thousand dollars (US\$75,000), then you will be responsible for administrative expenses in accordance with the Commercial Fee Schedule provided by the AAA. You acknowledge and agree that each party shall pay the fees and costs of its own counsel, experts and witnesses.

4. CHOICE OF LAW. This Agreement shall be governed by the United States Federal Arbitration Act and the laws of the state of California.

5. SEVERABILITY. If any provision of this Agreement is declared or found to be unlawful, unenforceable or void, such provision will be ineffective only to the extent that it is found unlawful, unenforceable or void, and the remainder of the provision and all other provisions shall remain fully enforceable.

